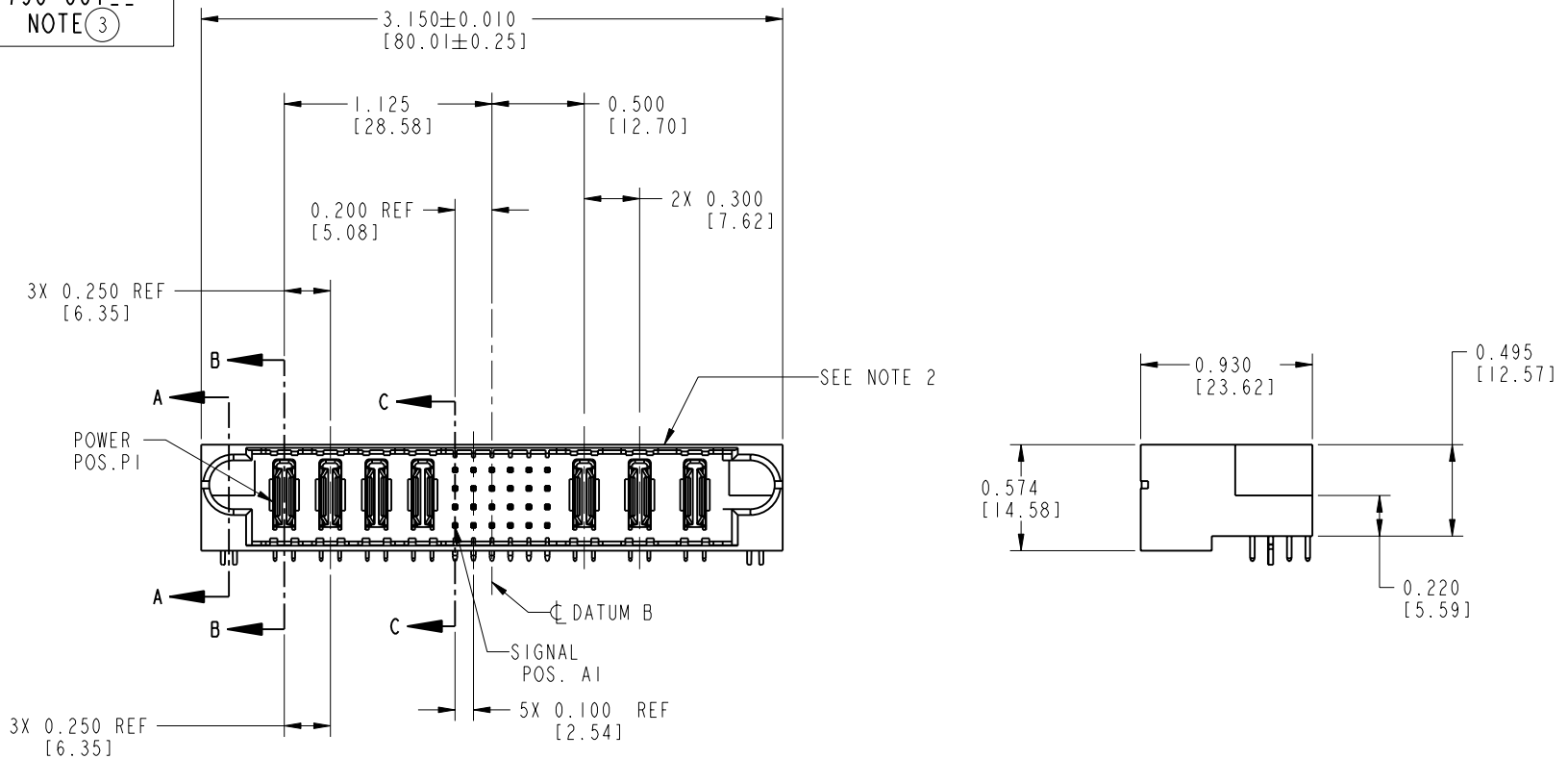


Tous droits strictement réservés. Reproduction ou communication o des liens interdite sous quelque forme que ce soit sans autorisation écrite du propriétaire. Propriete de c FCI. Droits de reproduction FCI.

All rights strictly reserved. Reproduction or issue to third parties in any form, whomever is not permitted without written authority from the proprietor. Property of FCI. Copyright FCI.

PRODUCT NUMBER

51796-001--
NOTE ③



mat'l code				tolerances unless otherwise specified		CUSTOMER COPY	FCI	
SEE NOTE 1							www.fciconnect.com	
ltr	ecn no.	dr	date	linear	.XX±.01/.X±.3	projection	title	4P + 24S + 3ACP
A	V02395	JRW	11-10-00		.XXX±.005/.XX±.13			
B	V20774	DAI	04/30/02	angles	.XXX±.0020/.XXX±.051	INCH / MM	product family	PwrBlade
C	V04-0882	TAB	09/01/04		0°±2°			
D	DG05-0064	SW	4/01/05	dr	E. KORFF 06-16-00	scale	size	dwg no
E	DG05-0572	JMG	01/05/06	engr	J. BROWN 06-16-00			
				chr	J. BROWN 06-16-00			
				appd	J. BROWN 06-16-00	1:1	A	51796
sheet index	revision sheet	E	E	E				code
		1	2	3				213
								SHEET 1 OF 3

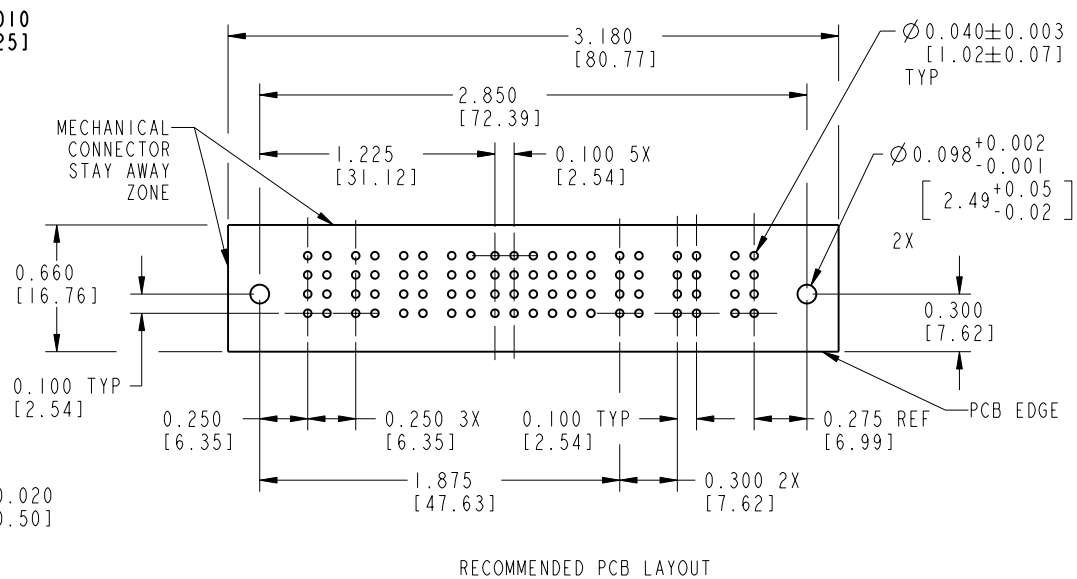
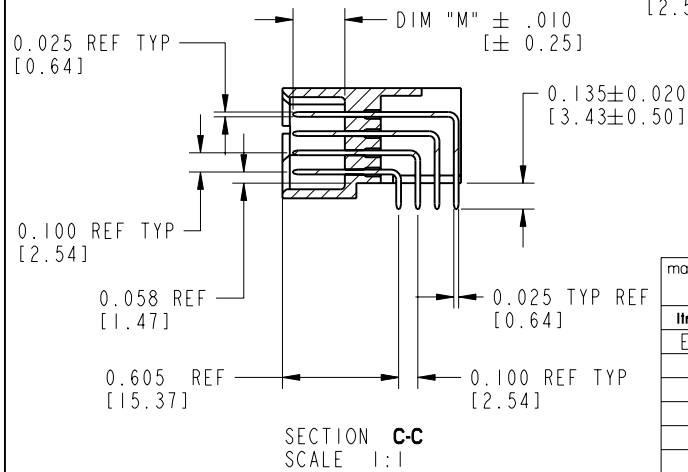
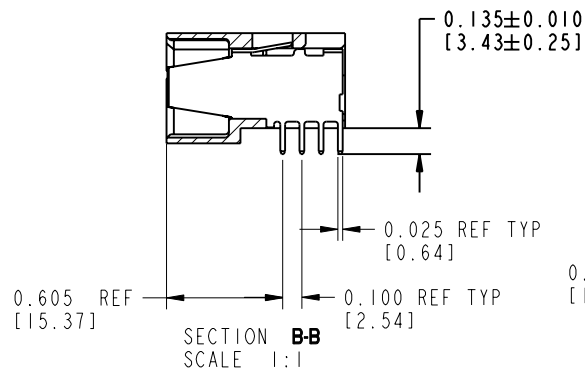
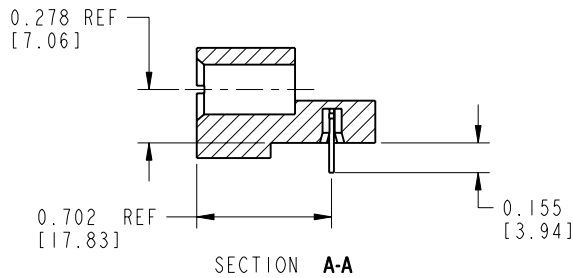
THIS FILE WAS ORIGINALLY CREATED IN THE PRO ENGINEER ENVIRONMENT AND ANY FUTURE REVISIONS TO THIS FILE MUST BE MADE IN THE PRO ENGINEER ENVIRONMENT

Tous droits strictement réservés. Reproduction ou communication o des liers interalle sous quelque forme que ce soit sans autorisation écrite du propriétaire. Propriete de c FCI. Droits de reproduction FCI.

A
FCI

All rights strictly reserved. Reproduction or issue to third parties in any form, whatever is not permitted without written authority from the proprietor. Property of FCI. Copyright FCI.

PRODUCT NUMBER
51796-001
NOTE ③



mat'l code SEE NOTE 1				tolerances unless otherwise specified		CUSTOMER COPY		www.fciconnect.com	
lfr	ecn no.	dr	date	linear	.XX±.01/.X±.3	projection		title 4P + 24S + 3ACP RIGHT ANGLE SOLDER HEADER	
E				angles	.XXX±.005/.XX±.13 .XXXX±.0020/.XXX±.051			product family PwrBlade	
				dr	E. KORFF 06-16-00	INCH / MM		code 213	
				enqr	J. BROWN 06-16-00	scale 1:1		size A	
				chr	J. BROWN 06-16-00			dwg no 51796	
				appd	J. BROWN 06-16-00			SHEET 2	
sheet index		revision sheet							

form no. 7530-001-103

code code
22526

PDM: Rev:E

STATUS: Released

Printed: Aug 11, 2007

Tous droits strictement réservés. Reproduction ou communication o des liers interalle sous quelque forme que ce soit sans autorisation écrite du propriétaire. Propriete de c FCI. Droits de reproduction FCI.

A **FCI**

All rights strictly reserved. Reproduction or issue to third parties in any form, whatever is not permitted without written authority from the proprietor. Property of FCI. Copyright FCI.

PRODUCT NUMBER
51796-001--
NOTE ③

NOTES:

1. DIMENSIONS AND TOLERANCES ARE IN ACCORDANCE WITH ASME Y14.5M, 1994 UNLESS OTHERWISE SPECIFIED.

CONNECTOR NOTES:

- 2. HOUSING MATERIAL: UL 94 V-0 GLASS FILLED HIGH-TEMP THERMOPLASTIC
POWER CONTACT MATERIAL: COPPER ALLOY
SIGNAL PIN MATERIAL: COPPER ALLOY
- 3. 51796-001;51796-001LF;51796-001GLF PLATING SPEC. SEE PRINT:10064183
- 4. MANUFACTURER'S NAME, P/N, AND DATE CODE TO APPEAR ON THIS SURFACE.
- 5. PRODUCT SPECIFICATION GS-12-149.
APPLICATION SPECIFICATION BUS-20-067.

PCB NOTES:

- 6. ALL HOLE DIAMETERS ARE FINISHED HOLE SIZE.
- 7. MOUNTING HOLES, WHERE APPLICABLE, ARE UNPLATED.
- 8. $\varnothing .0453 \pm 0.0010$ [1.151 \pm 0.025] DRILLED HOLES PLATED WITH .0003 [0.008] MIN SnPb OVER .001 [0.03] TO .003 [0.08] Cu PLATING TO ACHIEVE $\varnothing .040 \pm .003$ [1.02 \pm .07] HOLE.
- 9. "DIM XXX" TO BE DETERMINED BY THE CUSTOMER.
- 10. CONNECTOR KEEP-OUT ZONE.

CODE	DIM "M" MATING LENGTH		CONTACT TYPE
PA	N/A	[N/A]	POWER
R	0.270	[6.86]	SIGNAL
S	0.270	[6.86]	SIGNAL
T	0.270	[6.86]	SIGNAL
U	0.270	[6.86]	SIGNAL
E	0.220	[5.59]	SIGNAL
HA	N/A	[N/A]	HOLD-DOWN

PRODUCT No.	ROWS	POWER				SIGNAL						POWER			E2
		E1	P1	P2	P3	P4	1	2	3	4	5	6	P5	P6	
51796-001-- NOTE ③	D C B A		PA	PA	PA	PA	UUUUUU	TTTTTT	SSSSSS	RRRRRR	PA	PA	PA		

mat'l code SEE NOTE 1				tolerances unless otherwise specified		CUSTOMER COPY	A FCI www.fciconnect.com	
ltr	ecr no.	dr	date	linear	.XX±.01/.X±.3	projection	title 4P + 24S + 3ACP RIGHT ANGLE SOLDER HEADER	
D				angles	.XXX±.005/.XX±.13 .XXXX±.0020/.XXX±.051 0°±2°		product family PwrBlade	
				dr	E. KORFF 06-16-00	INCH / MM	size	code
				engr	J. BROWN 06-16-00	scale	51796	213
				chr	J. BROWN 06-16-00	1:1	A	SHEET
				appd	J. BROWN 06-16-00			3
sheet index	revision sheet							

form no. 7530-001-103

code code 22526